**VEHICLE TYPE**

HINO SERIE 300 MODEL 716-816

**TRANSMISSION CODE**

RE 61 (6,370) - RE 62 AMT

PTOs are connected to most propeller shafts and there are also 2-axis gears that can be directly connected to the group shaft box. The equipment output is compatible with ISO (DIN 5462) 4 Bolt pump output. If requested, SAE -B / BB, UNI and Coupling output can also be provided. Activation/deactivation with electrical control mechanism. The lubrication system is provided with oil from the main gearbox. It is not necessary to add oil to the PTO afterwards. It is a type of PTO that makes a CW.

HİDROLİK POMPA ve ARA ŞANZİMAN PTO İMALAT  
SAN.LTD.ŞTİ.

AOS. 1. OSB. Erkunt Cad. No: 6 Sincan / ANKARA  
Tel.+90 312 267 39 71-Fax +90 312 267 38 72  
info@kozmaksan.com.tr

Website: www.kozmaksan.com.tr

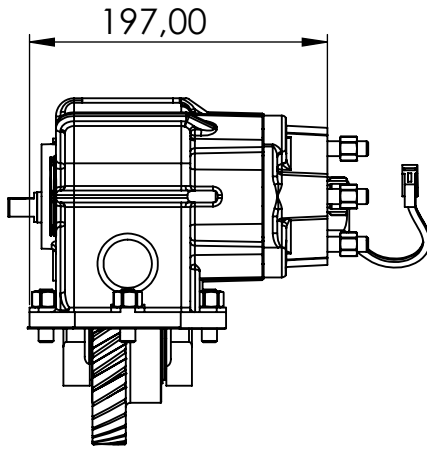


**TECHNICAL VALUES**

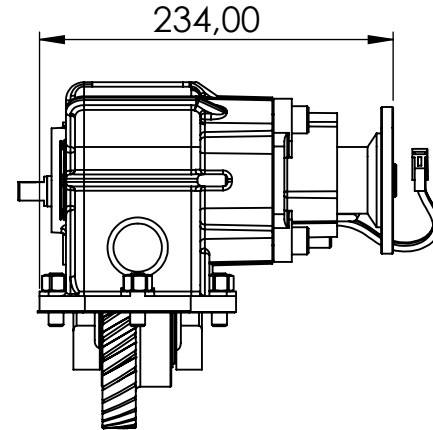
	MAX VALUES	RATIO	WORKING RPM RANGE (MAX)
	33kW-315Nm-232 lbs.ft	1/1,22	

\* Output Power ; The rpm and output power may vary. Contact Kozmaksan for exact working values.

Optimum Working Temperature	25-80°C	WEIGHT	8 Kg-17,6 lbs
Short-term Working Temperature	80-90°C	BODY MATERIAL	GE G-AISI10Mg US A-360 TR Etial-171
Risky Working Temperature	Over 90°C	OIL TYPE & AMOUNT	

**Output Options**


Connection Type	ISO-->KF
Kw-Nm Values	23,6Kw - 225Nm



Connection Type	ISO-->COUPLING
Kw-Nm Values	33Kw - 315Nm

**COUPLING OPTIONS**

C06-045	C06-076	C06-082
ISO 7647-SAE 1300x4x10	ISO 7646-100x6x8	ISO 7647 - SAE 1100x4x8